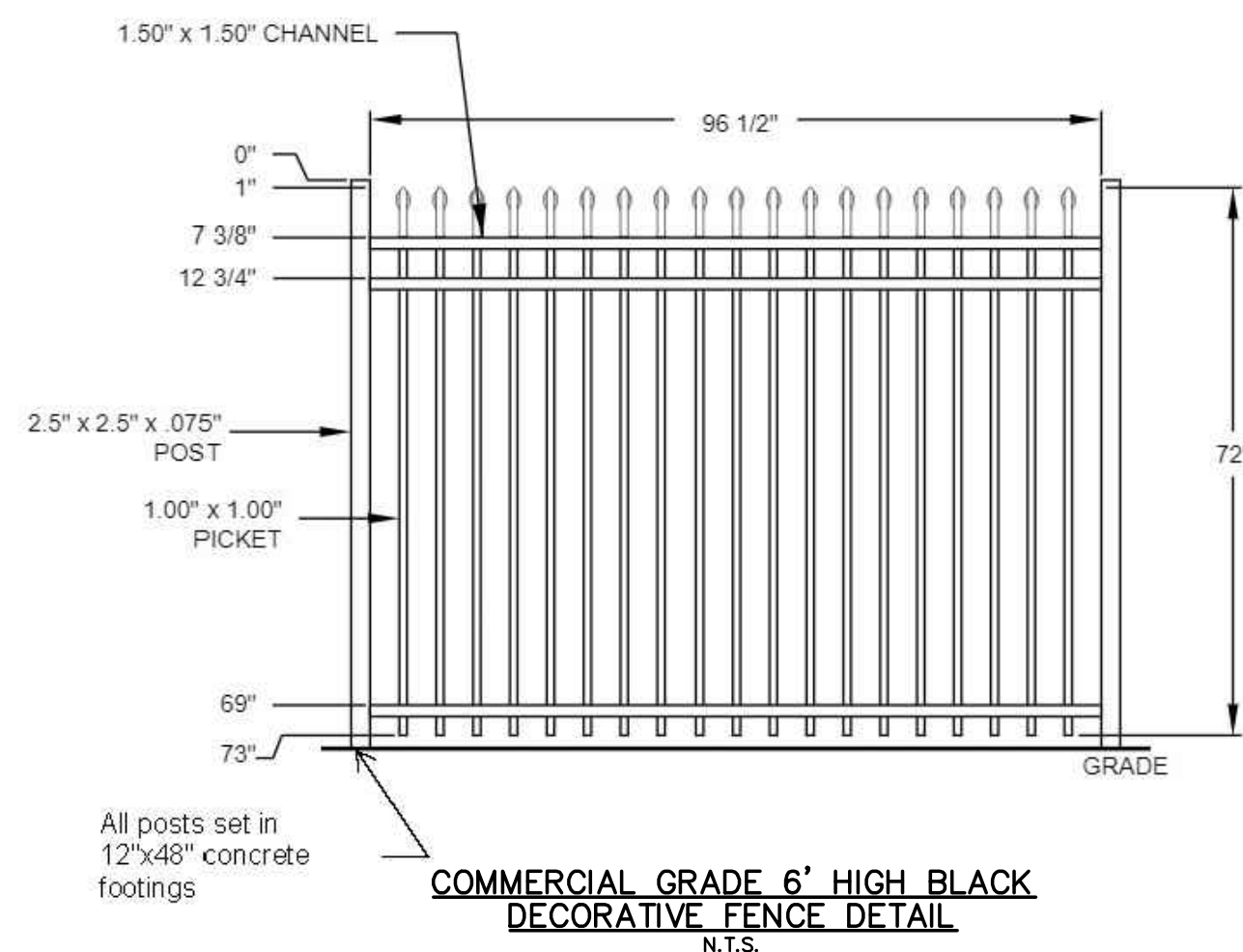
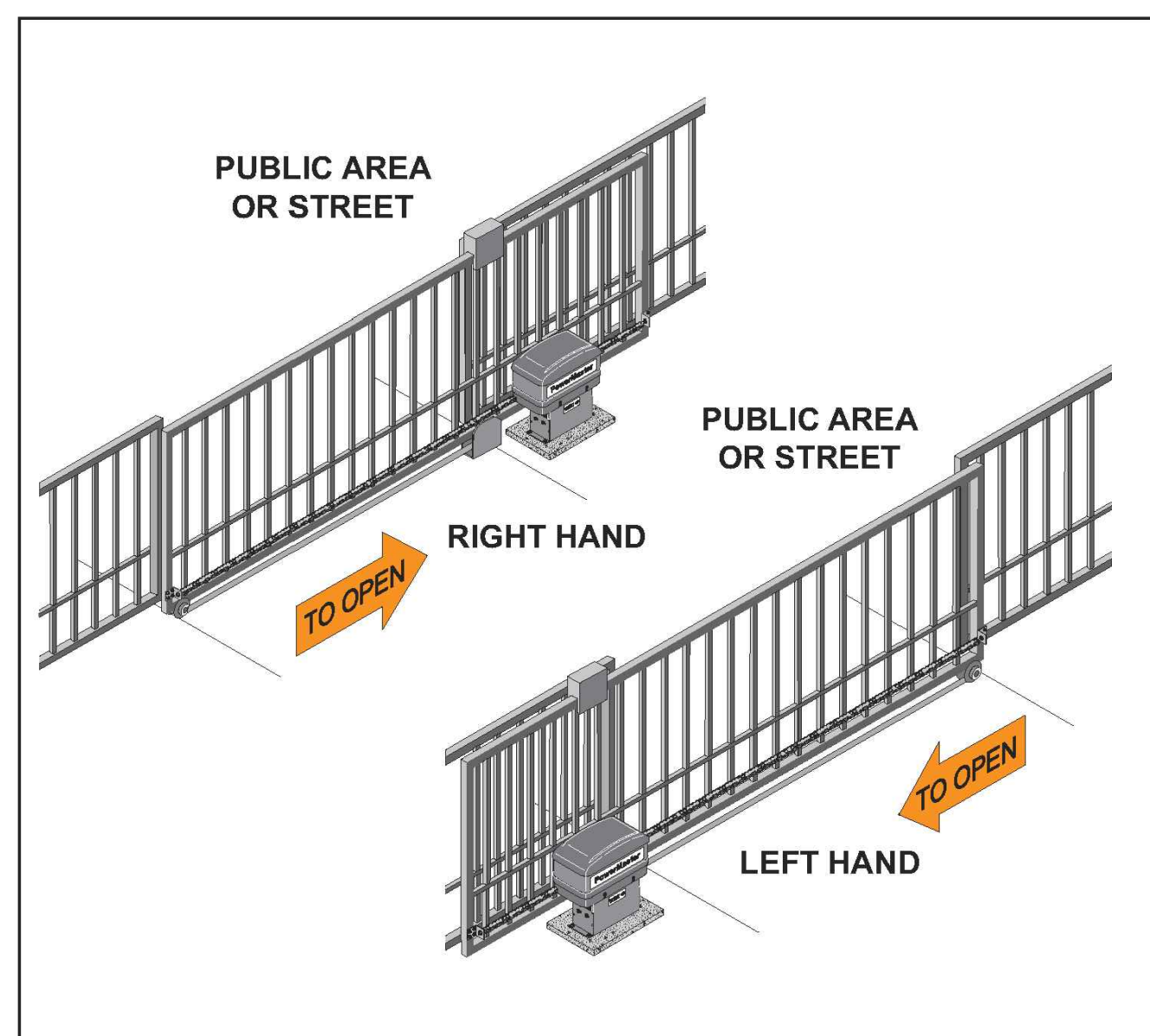


CHAIN-LINK FENCE DETAIL  
N.T.S.

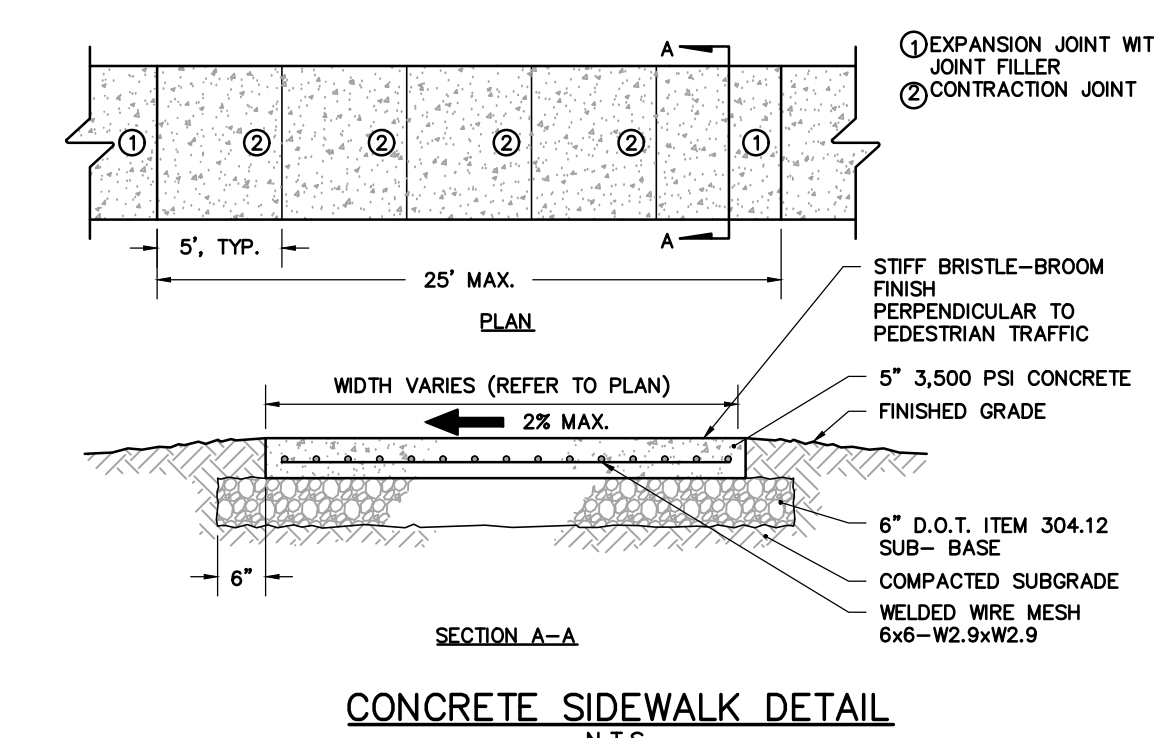


COMMERCIAL GRADE 6' HIGH BLACK  
DECORATIVE FENCE DETAIL  
N.T.S.

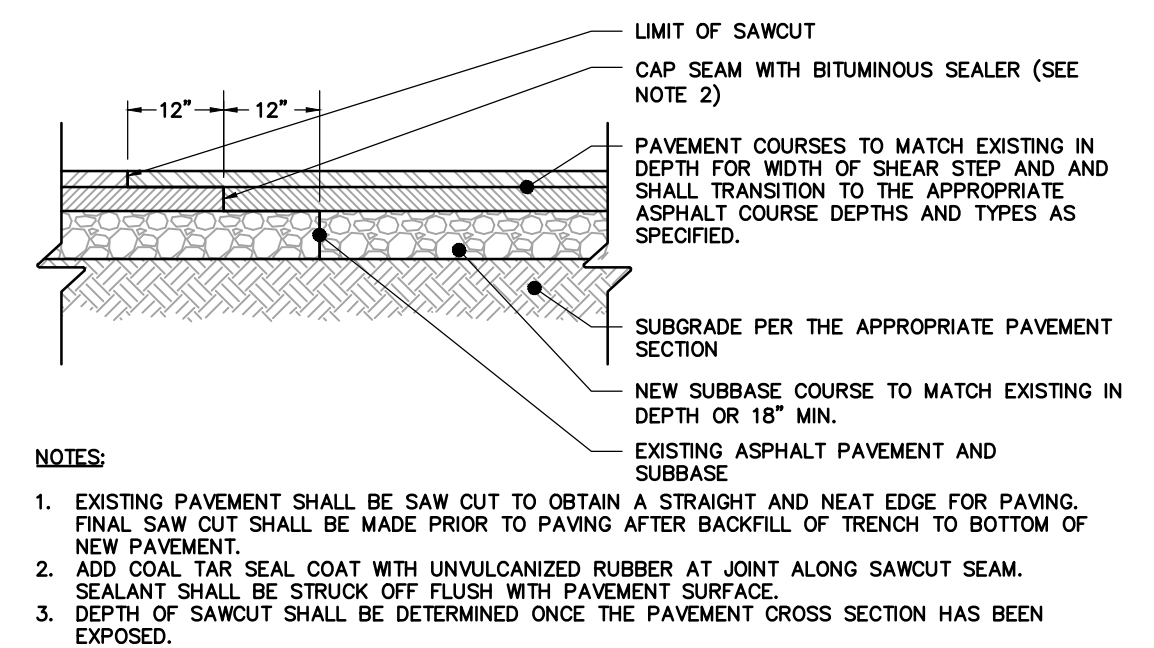


40' WIDE SLIDE GATE DETAIL  
N.T.S.

1. Gate must slide freely to fully opened and fully closed position.
2. Gate and/or extension must extend beyond the position of the operator when gate is in a fully closed position. The operator will be located as shown above, for left and right hand installation.

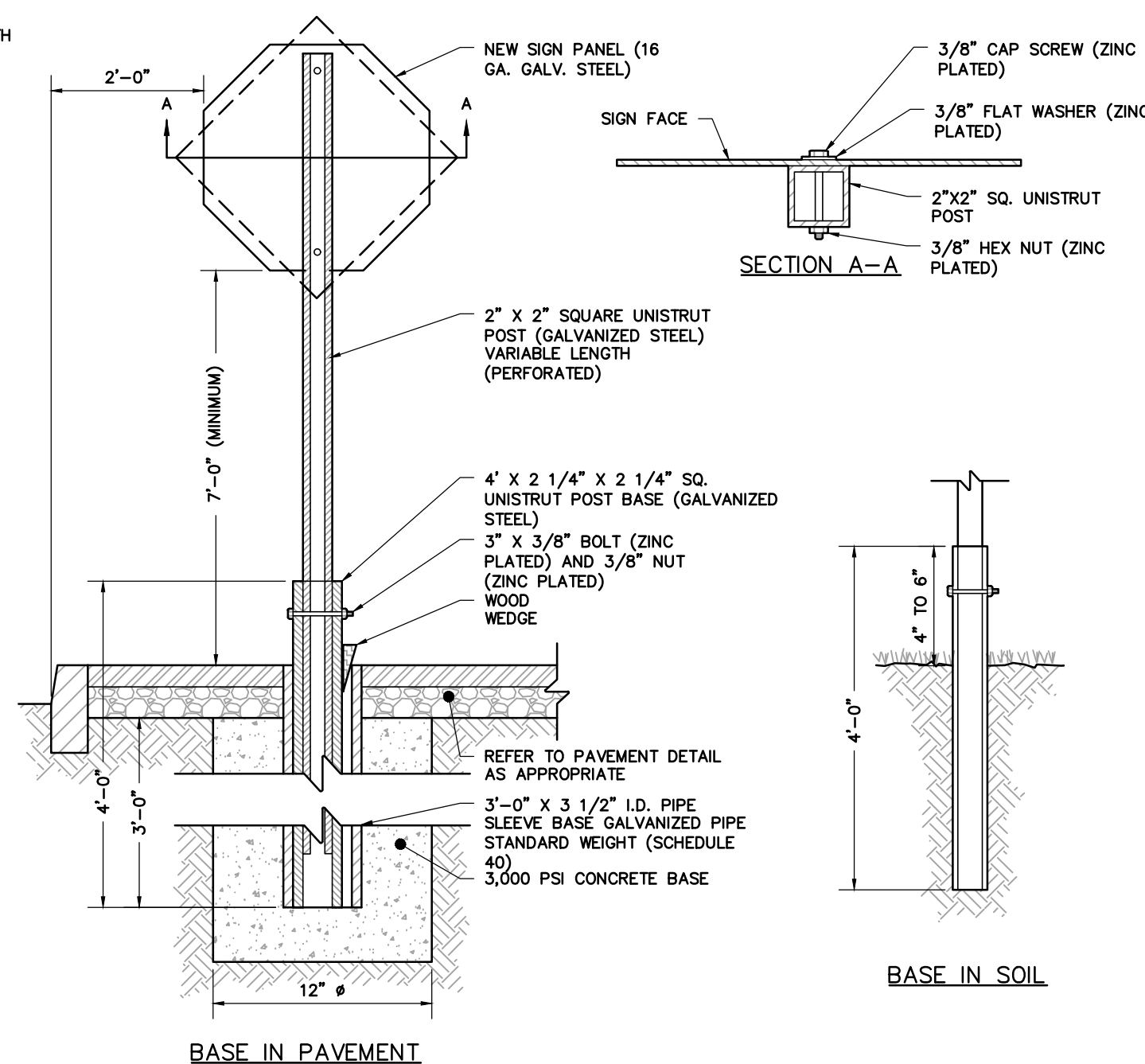


CONCRETE SIDEWALK DETAIL  
N.T.S.

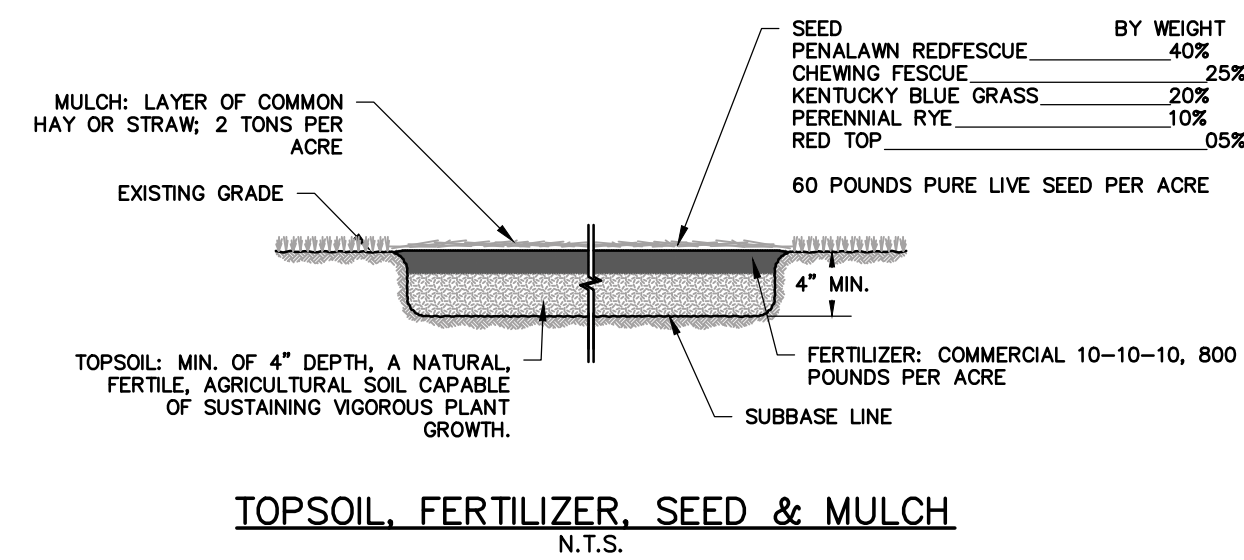


ASPHALT PAVEMENT RESTORATION DETAIL  
N.T.S.

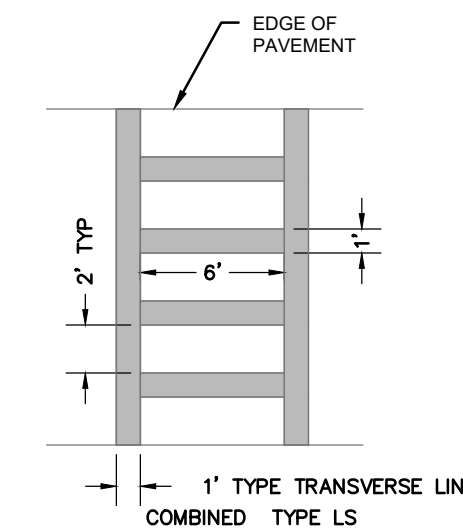
- NOTES:
1. EXISTING PAVEMENT SHALL BE SAW CUT TO OBTAIN A STRAIGHT AND NEAT EDGE FOR PAVING. FINAL SAW CUT SHALL BE MADE PRIOR TO PAVING AFTER BACKFILL OF TRENCH TO BOTTOM OF NEW PAVEMENT.
  2. ADD COAL TAR SEAL COAT WITH UNVULCANIZED RUBBER AT JOINT ALONG SAWCUT SEAM. SEALANT SHALL BE STRUCK OFF FLUSH WITH PAVEMENT SURFACE.
  3. DEPTH OF SAWCUT SHALL BE DETERMINED ONCE THE PAVEMENT CROSS SECTION HAS BEEN EXPOSED.



TYPICAL POST MOUNT SIGN INSTALLATION  
N.T.S.



TOPSOIL, FERTILIZER, SEED & MULCH  
N.T.S.



PAVEMENT MARKING DETAIL-CROSSWALK STRIPING  
N.T.S.

- NOTES:
1. ALL CROSS WALK STRIPING SHALL BE WHITE (WATER BASED 100% ACRYLIC PAINT)

NO.	DATE	DESCRIPTION	CK'D	SPH	SPH
1	6/1/22	ISSUED FOR REVIEW	DAH	DAH	
2	6/6/22	REVISED PER TOWN COMMENTS	DAH	DAH	

NO.	DATE	DESCRIPTION	CK'D	SPH	SPH
1					
2					

TRAFFIC SIGN SCHEDULE  
N.T.S.

Drawing Copyright © 2018  
NOTE: Unauthorized use of this map is a violation of section 209 sub-section 1 of the New York State Constitution.  
Only copies from the original of this map bearing an embossed seal of the State of New York and the embossed seal of the State of New York are considered to be true and valid copies.

**HART ENGINEERING**

1988 FERRISDALE ROAD  
CASTLETON NY, 12033

Phone: (518) 479-4014  
Fax: (518) 477-6371

STEVEN P. HART, P.E. #06039

NO.	DATE	DESCRIPTION	CK'D	SPH	SPH
1	6/1/22	ISSUED FOR REVIEW	DAH	DAH	
2	6/6/22	REVISED PER TOWN COMMENTS	DAH	DAH	

DETAILS

PEGEMERON PHARMACEUTICALS  
PERIMETER FENCE AND WALKWAY  
30 TECH VALLEY DRIVE

TOWN: EAST GREENBUSH COUNTY: ROUSSELEAU STATE: NEW YORK

ENGINEER: STEVEN P. HART, P.E.  
DRAWN BY: DAH  
DATE ISSUED: APRIL 2022  
SCALE: AS SHOWN  
DRAWING NUMBER: C500

2 OF 2